

CRAYON MAKEUP KIT

6+ YEARS

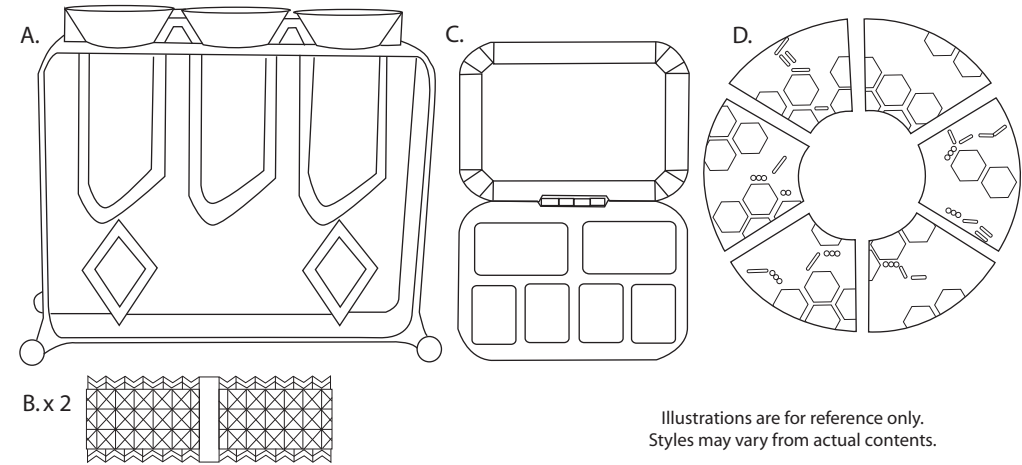
WARNING:
CHOKING HAZARD—Small parts.
Not for children under 3 years.

SKU:545163

ADULT SUPERVISION REQUIRED

CONTENTS

- A. 1 Lipstick Mold
- B. 2 Lipstick Tubes
- C. 1 Lipstick compact
- D. 6 Crayons



Illustrations are for reference only.
Styles may vary from actual contents.

Download our free iOS apps:



Follow us:



Watch on:



Kids, ask your parents to download the Project Mc²™ apps, available on iOS devices through the app store :

- Click on the App Store icon on your iOS device.
- Click "Search" on your mobile device and type in "Project Mc2"
- Once the correct app names come up on the screen, tap on the word "get."
- You may be asked for your Apple ID. If so, enter your ID or follow the instructions on screen to get one.
- Once your ID is accepted, watch the download status until the downloads are complete.
- The application icons should appear on your device. Tap the icon to activate the apps.

The Project Mc²™ apps require iOS 6.1 or later. Compatible with iPod Touch® 4, iPhone® 4 and iPad® 2 or later versions. Data rates may apply.

Please keep this manual as it contains important information.



1016-1-E

www.projectmc2.com
 © 2016 MGA Entertainment, Inc.
 PROJECT MC²™ is a trademark of MGA
 in the U.S. and other countries. All
 logos, names, characters, likenesses,
 images, slogans, and packaging
 appearance are the property of MGA.
 16300 Roscoe Blvd.
 Van Nuys, CA 91406 U.S.A.
 (800) 222-4685
Printed in China

The preferred method of contact for
Customer Service is through our e-mail
contact form at www.mgae.com

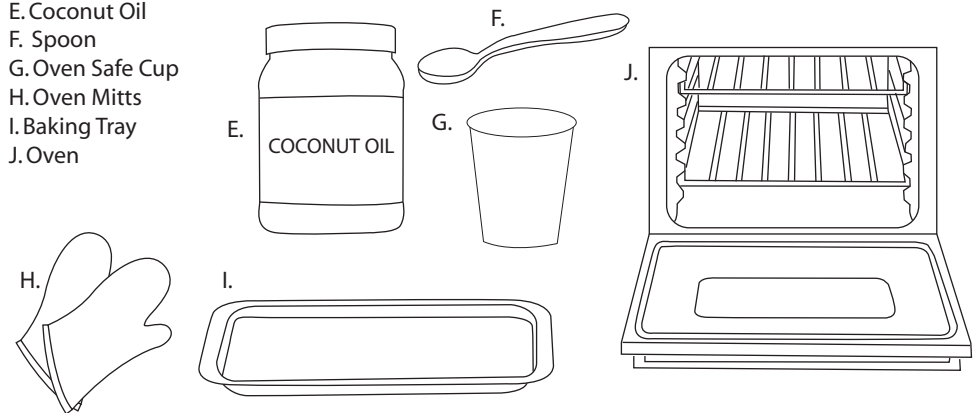
Visit www.projectmc2.com
to register your product
and to enter our sweepstakes
(No purchase necessary)

YOUR HOUSEHOLD ITEMS

(Not Included)

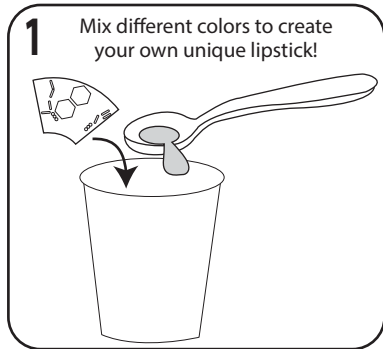
Ask an adult to help you gather all the household items needed and supervise during the experiment.

- E. Coconut Oil
- F. Spoon
- G. Oven Safe Cup
- H. Oven Mitts
- I. Baking Tray
- J. Oven

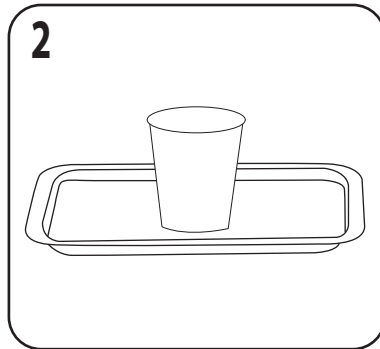


QUICK START

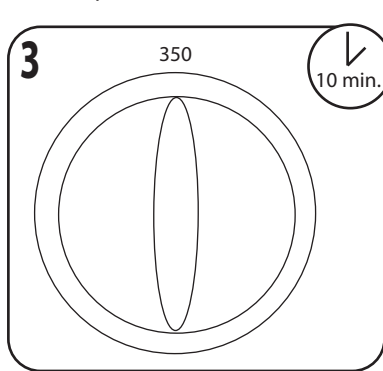
IMPORTANT NOTE: An adult must melt crayons. Contents are HOT. Before beginning, cover the play area to prevent possible damage.



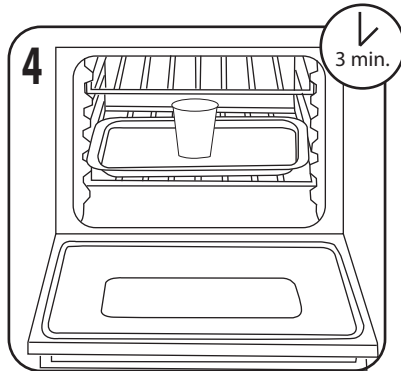
Place one included crayon wedge into a small oven safe cup and add 1/2 teaspoon of coconut oil.



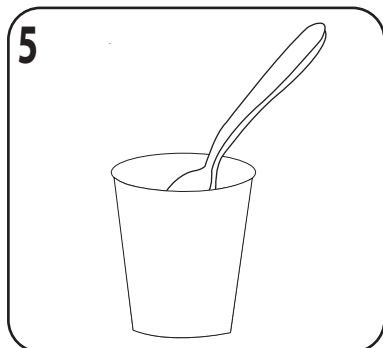
Place the oven safe cup on an oven-safe baking tray.



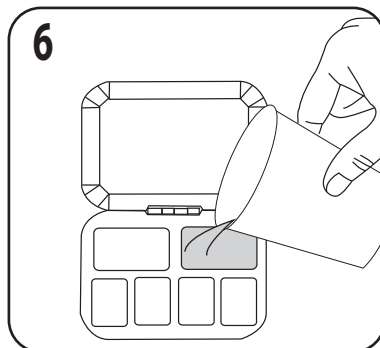
Preheat an oven to 350° F (177° C) for 10 minutes.



Turn the oven OFF. With oven mitts, an adult must place the baking tray and cup inside the oven on a baking rack for three minutes.



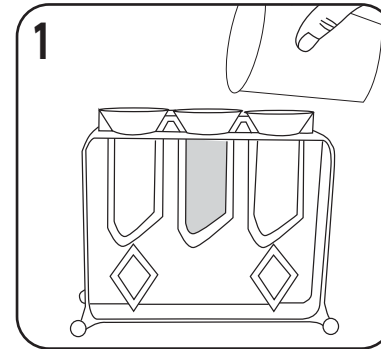
An adult must wear oven mitts to remove the tray and cup from the oven. Stir the mixture until the crayon is fully liquefied. CAUTION: Contents are HOT!



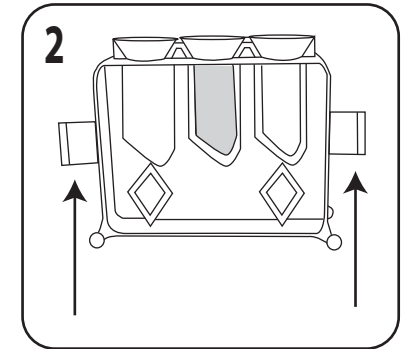
Quickly pour the wax into the compact. CAUTION: Contents are HOT!

USING THE LIPSTICK MOLD

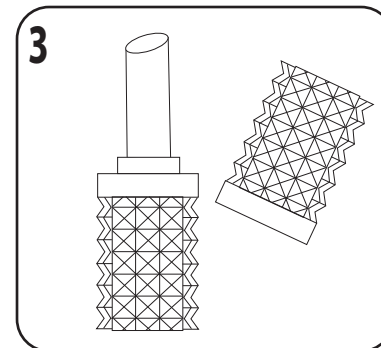
Make sure the lipstick mold halves are locked together before pouring in the crayon wax.



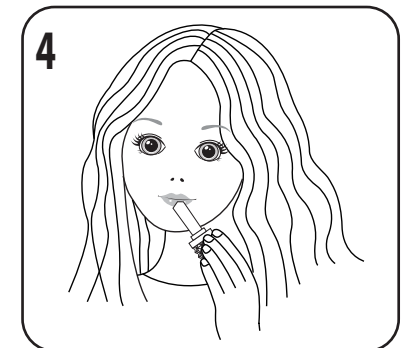
Once the oil and crayons have been mixed, quickly pour them into the lipstick mold and put the mold in the refrigerator for 10 minutes.



Open the latches on the sides of the mold and separate the halves. Gently push the lipstick from the bottom to release it from the mold.



Insert the lipstick into the lipstick tube and wipe off excess around the base.



Use on lips, cheeks or eyes for extra color!

IMPORTANT INFORMATION

⚠ CAUTION: Melted wax crayons are HOT. Always use protective mitts and keep away from skin until completely cooled.

- Melting wax crayons must be done by an adult.
- Melt crayons in a well-ventilated area. Overheating wax crayons may release irritating fumes.
- Melting crayons in a microwave is not recommended.
- If skin irritation occurs from the lipstick, discontinue use.
- Wash the compact, lipstick tubes, and lipstick mold before the first use and after each additional use.
- To fully remove all excess crayon wax, scrub thoroughly with warm water.
- Air dry only in a well ventilated area before storing.
- Wash hands before applying lip gloss from the compact.
- Adding too much oil may prevent the lipstick from hardening. Add a small piece of crayon and melt again.
- Keep crayons out of direct sunlight and store in a cool area to prevent unwanted melting.